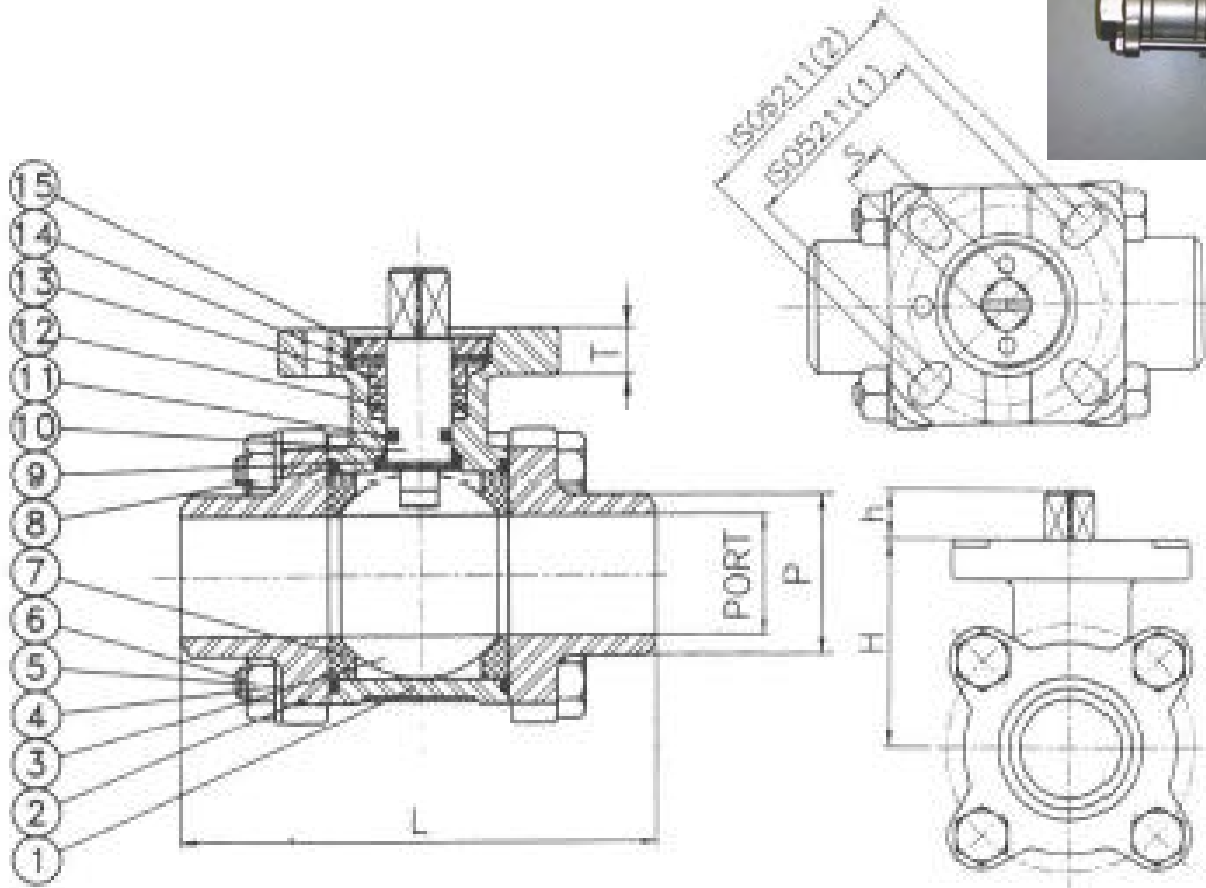


Ball valve Stainless steel

Type KL- 521 B

3-piece-design acc. DIN/ISO mounting flange, welding on
PN 63 DN 10- 100



| Pos | Description | Pcs | Material |
|-----|-----------------|--------|--------------|
| 1 | Body | 1 | 1.4408 |
| 2 | End body | 2 | 1.4408 |
| 3 | Ball | 1 | 1.4401 |
| 4 | steel washer | 4 - 12 | 1.4301 |
| 5 | Nut | 4 - 12 | 1.4301 |
| 6 | bolt | 4 - 12 | 1.4301 |
| 7 | Ball seals | 2 | PTFE verst. |
| 8 | Body seals | 2 | PTFE |
| 9 | Pressure ring | 1 | PTFE |
| 10 | Connecting well | 1 | 1.4401 |
| 11 | O- Ring | 1 | Viton |
| 12 | Stem seals | 3 | PTFE |
| 13 | Gland | 1 | 1.4301 |
| 14 | Spring | 2 | spring steel |
| 15 | Nut | 1 | 1.4301 |

L acc. DIN 3202- S13

| | Dimensions (mm) | | | | | | | | ISO 5211 |
|--------|-----------------|-----|-----|----|----|----|-----|----|-------------------------------------|
| | PORT | L | H | h | S | T | P | Nm | |
| 1/4" | 10 | 70 | 40 | 7 | 9 | 9 | 20 | 5 | F03 PCD36 Ø6x4 F04 PCD42 Ø6x4 |
| 3/8" | 12 | 70 | 40 | 7 | 9 | 9 | 20 | 5 | F03 PCD 36 Ø6x4 F04 PCD42 Ø6x4 |
| 1/2" | 16 | 75 | 40 | 7 | 9 | 9 | 23 | 7 | F03 PCD36 Ø6x4 F04 PCD42 Ø6x4 |
| 3/4" | 20 | 90 | 44 | 9 | 9 | 9 | 28 | 9 | F03 PCD36 Ø6x4 F04 PCD42 Ø6x4 |
| 1" | 25 | 100 | 52 | 12 | 11 | 10 | 34 | 13 | F04 PCD42 Ø6x4 F05 PCD50 Ø7x4 |
| 1 1/4" | 32 | 110 | 58 | 12 | 11 | 10 | 41 | 20 | F04 PCD42 Ø6x4 F05 PCD50 Ø7x4 |
| 1 1/2" | 40 | 125 | 68 | 16 | 14 | 13 | 49 | 28 | F05 PCD50 Ø7x4 F07 PCD 70 Ø9x4 |
| 2" | 50 | 150 | 77 | 16 | 14 | 13 | 62 | 37 | F05 PCD50 Ø7x4 F07 PCD 70 Ø9x4 |
| 2 1/2" | 65 | 190 | 98 | 19 | 17 | 13 | 78 | 49 | F07 PCD 70 Ø9x4 F10 PCD102 Ø11x4 |
| 3" | 80 | 220 | 110 | 19 | 17 | 13 | 94 | 54 | F07 PCD 70 Ø9x4 F10 PCD102 Ø11x4 |
| 4" | 100 | 270 | 138 | 24 | 22 | 20 | 125 | 62 | F10 PCD102 Ø11x4 |

Temperature range **-20°C bis 200°C**

(See Pressure-/ Temperature sheet)