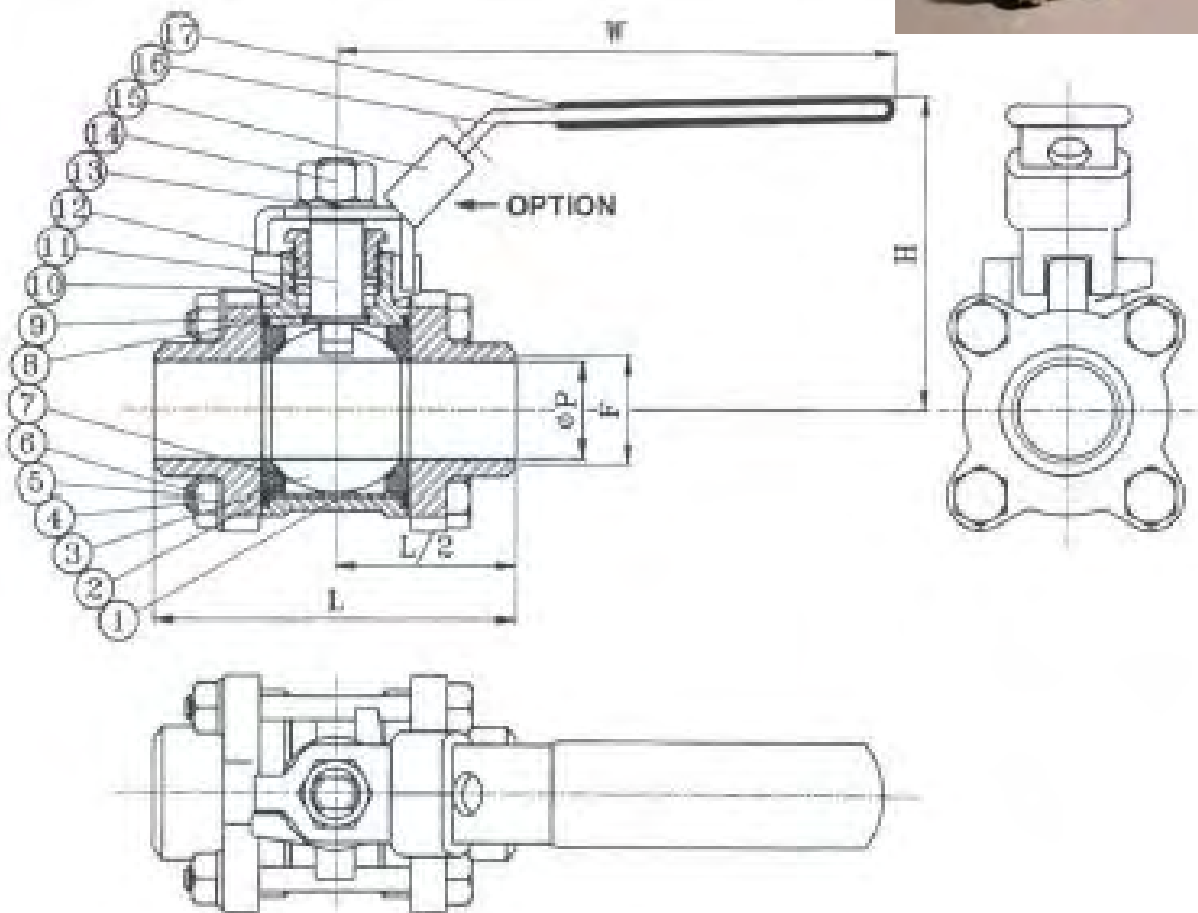


Ball valve Stainless steel

Type KL- 501 B

3-piece-design welding on, full bore
PN 63 DN 8- 100



Pos	Description	Pcs	Material
1	Body	1	1.4408
2	End body	2	1.4408
3	Ball	1	1.4408
4	steel washer	4 - 12	1.4301
5	Nut	4 - 12	1.4301
6	bolt	4 - 6	1.4301
7	Ball seals	2	PTFE
8	Body seals	2	PTFE
9	Pressure ring	1	PTFE
10	Stem seals	1 Satz	PTFE
11	Connecting well	1	1.4401
12	Gland	1	1.4301
13	steel washer	1	1.4301
14	Nut	1	1.4301
15	locking-device	1	1.4301 (optional)
16	Handle	1	1.4301
17	coating	1	plastic

Dimension, weight, torques							
DN	F	P	L	H	W	G (kg)	D (Nm)
8	12,5	11,6	65	55	97,5	0,35	7
10	15,0	12,7	70	55	97,5	0,35	7
15	18,0	16	75	64	125,5	0,6	7
20	22,0	20	90	67	125,5	0,95	11
25	28,0	25	100	83	143,5	1,2	18
32	35,0	32	110	89	143,5	1,85	23
40	43,0	38,1	125	100	203,5	2,7	29
50	54,0	50,8	150	108	203,5	4,35	37
65	69,0	65	190	150	251,5	8,3	58
80	84,0	80	220	161	251,5	12,3	69
100	104	100	270	180	291,5	23,8	92

construction length DIN 3202 – S13

Temperature range –20°C bis 200°C
(See Pressure-/Temperature sheet)