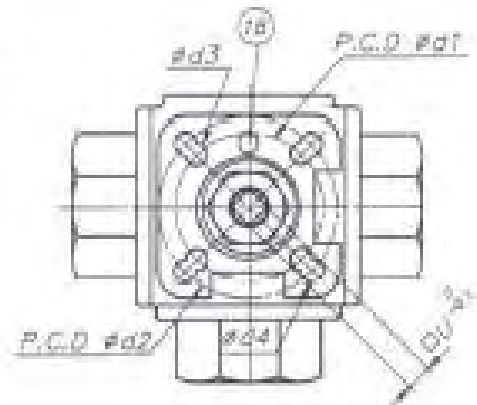
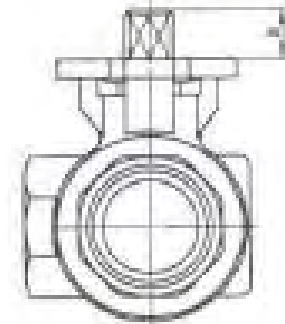
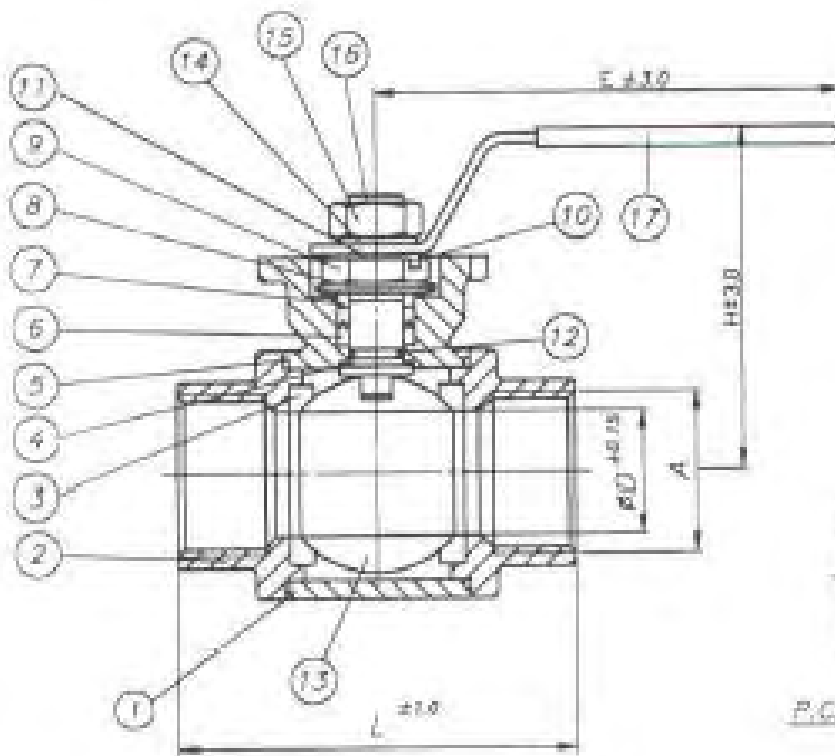


Ball valve Stainless steel

Type KL- 321 L/T

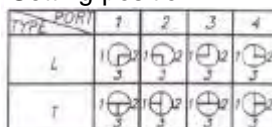
3-piece-design, threaded connection, L- or T- Bore
PN 63 DN 8 - 50



Pos	Description	Pcs	Material
1	Body	1	1.4408
2	threaded connection	3	1.4408
3	Ball seals	4	PTFE verst.
4	Pressure ring	1	PTFE
5	Body seals	3	PTFE
6	Stem seals	2	PTFE
7	Start ring	1	1.4301
8	Disc spring	2	1.4301
9	gland nut	1	1.4301
10	Secure ring	1	1.4301
11	Handle	1	1.4301
12	O- Ring	1	Viton
13	Ball	1	1.4401
14	steel washer	1	1.4301
15	Nut	1	1.4301
16	Stem seals	1	1.4401
17	Handle coating	1	plastic
18	End stop	1	1.4301

Dimensions													
A	ØD	E	H	L	B	U	Ød1	Ød3	Ød2	Ød4	ISO 5211	Nm	
1/4"	11,6	114	73	80,0	7,4	9	36	5,5	42	5,5	F03.F04	8	
3/8"	12,7	114	73	80,0	7,4	9	36	5,5	42	5,5	F03.F04	8	
1/2"	12,0	114	73	80,0	7,4	9	36	5,5	42	5,5	F03.F04	8	
3/4"	15,0	133	78	87,5	12,8	11	42	5,5	50	6,5	F04.F05	11	
1"	20,0	133	83	100,0	11,4	11	42	5,5	50	6,5	F04.F05	18	
1 1/4"	25,0	187	92	123,0	12,4	11	42	5,5	50	6,5	F04.F05	26	
1 1/2"	32,0	187	98	142,2	9,8	11	42	5,5	50	6,5	F04.F05	32	
2"	40,0	187	126	170,6	15,8	14	50	6,5	70	8,5	F05.F07	37	

Setting-position



Temperature Range **-20°C bis 200°C**
(See Pressure-/ Temperature sheet)